

TT-12CSJ THREE-CORE STRAIGHT JOINT

Up to 12 kV

Application

For jointing three-core polymeric cables to be directly buried. The product is fully screened and fully submersible.

Technical characteristics

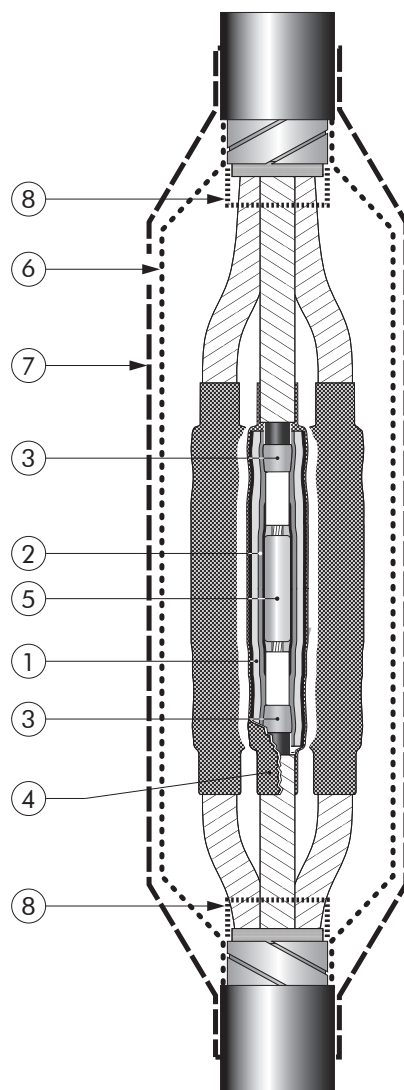
- All joint bodies are tested for AC withstand prior to leaving the factory.
- All different types of armouring and screen connection systems are possible.
- Extra water sealing system available.

6/10 (12) kV
6.35/11 (12) kV

Design

The joint comprises:

1. Extruded double layer silicone body.
2. Field control mastic plate.
3. Field control mastic.
4. Copper stocking or mesh.
5. Conductor connector (not included in the standard kit).
6. Screen and armour continuity (adapted to the specific needs).
7. Overall protective cover, can be:
 - heat-shrinkable or
 - poured resin or
 - resin injected tape.
8. Water sealing system (if required).



Specifications and standards

This joint meets the requirements of CENELEC HD 629.1.

Cold-shrinkable straight joint type	Voltage U_m (kV)	Diameter over core insulation (mm)		Conductor sizes (mm ²) (for information only)	
		min	max	min	max
TT-12CSJ-2	12	17	33	70	300

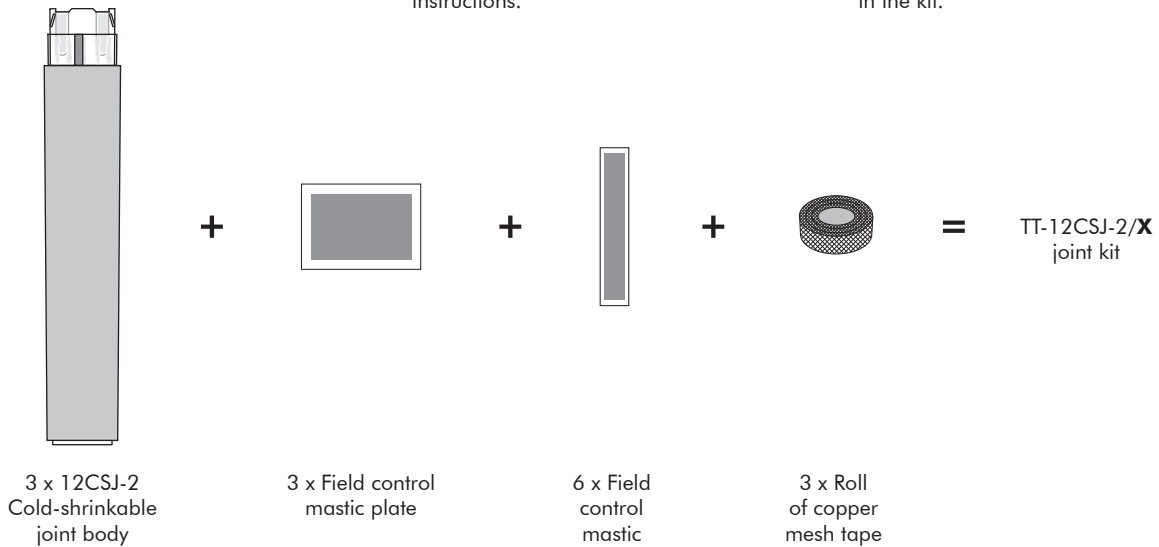
12/2009

Kit contents

The complete cold-shrinkable joint kit comprises the following components:

The kit also comprises a pulling hook, adhesive tape, roll springs, water sealing mastic, lubricant, wipers and installation instructions.

Depending on the type of screen, the cable armour and the outer protection required, the necessary components will be included in the kit.



Ordering instructions

To order the three-core straight joint, specify TT-12CSJ-2 and add the code corresponding to the type of cover required.

Please indicate the required earth connection and provide the cable data sheet for screening and/or armour connection solution (see Enquiry sheet p. 26).

Ordering part number	Conductor sizes (mm ²) (for information only)							Diameter over core insulation (mm)	
	70	95	120	150	185	240	300	min	max
TT-12CSJ-2/X	TT-12CSJ-2/X							17	33

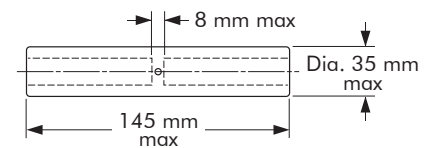
Example:

The three-core cable with individual copper tape screen is 12 kV, 3 x 150 mm² stranded aluminium, without armour (with a diameter over core insulation of 23.3 mm and over outer sheath 59.8 mm) and a tape injected resin cover is required.
Order a TT-12CSJ-2/TIR joint kit.

Table X

Cover type	Description
/HSS	The joint will be supplied with a heat-shrinkable cover
/TIR	The joint will be supplied with a taped injected resin cover
/PBR	The joint will be supplied with a poured resin box cover

All types of conductor connectors can be used. The conductor connectors must be within the dimensions specified. If the conductor connector does not meet these requirements, please contact our representative.



For use with other cable types. Please contact our representative.	A special water sealing system is available. Please contact our representative.	Different armour connections are available. Please contact our representative.	Different types of screen continuity kits can be supplied. Please contact our representative.	For transition from three core to single core XLPE cables. Please contact our representative.	Can be supplied as a stop joint. Please contact our representative.

Euromold
a Nexans company

www.cable-jointing.com
Tel: +44 (0) 1482 37 37 20

info@cable-jointing.com
Fax: +44 (0) 1482 24 20 20