

# SPDI HEAT-SHRINKABLE THREE CORE PILC/PICAS INDOOR TERMINATION

Up to 12 kV

6/10 (12) kV  
6.35/11 (12) kV

## Application

Heat-shrinkable terminations for three core PILC/PICAS cables, are used by power utilities and in industrial applications. For use indoor in controlled environmental conditions.

## Design

1. Cable lug (supplied on request).
2. Water sealing mastic.
3. Anti-tracking heat-shrinkable tube.
4. Anti-tracking sheds (when required).
5. Stress control heat-shrinkable tube.
6. Stress control mastic.
7. Break-out.
8. Barrier tube.

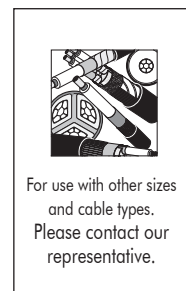
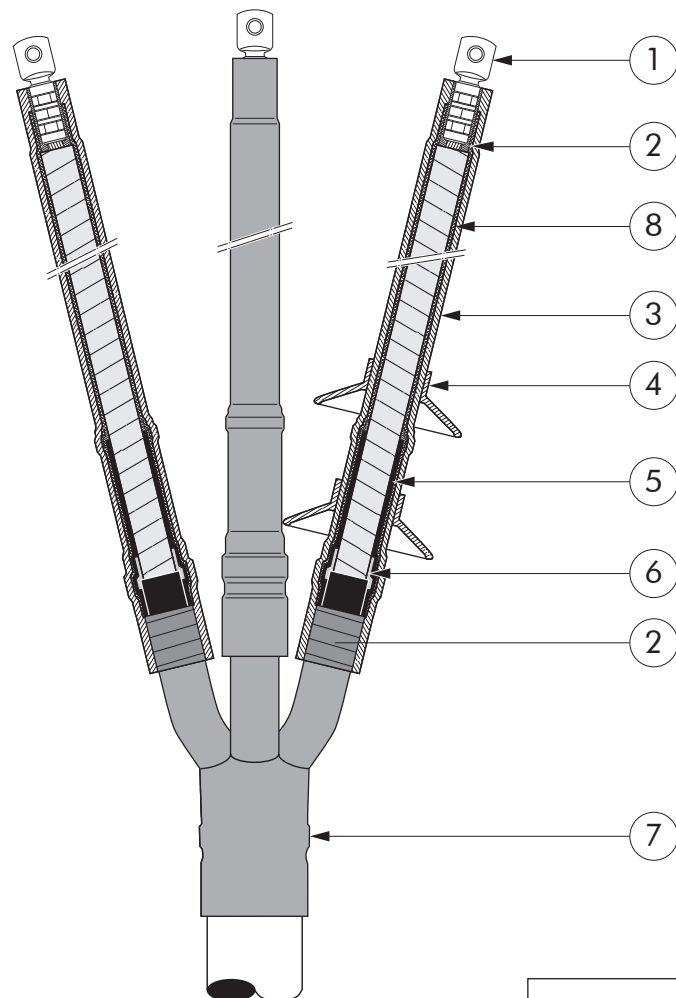
## Specifications and standards

Meets the requirements of CENELEC HD 629.1 and IEC 60502-4.

## Ordering instructions

Select the part number and add both system voltage and conductor size range.

**Example part number:**  
SPDI 12/95-240



01/2010

| Termination type | Voltage class (Um) | Cable cross section (mm <sup>2</sup> ) |
|------------------|--------------------|--|
| SPDI 12/16-25    | 12 kV              | 16-25                                  |
| SPDI 12/35-70    |                    | 35-70                                  |
| SPDI 12/95-240   |                    | 95-150                                 |
| SPDI 12/185-500  |                    | 185-500                                |