

24CSJ-M SINGLE CORE STRAIGHT JOINT WITH MECHANICAL CONNECTOR

Up to 24 kV

Application

For jointing copper wire screened polymeric cable to be laid in air or directly buried. The product is fully screened and fully submersible.

Technical characteristics

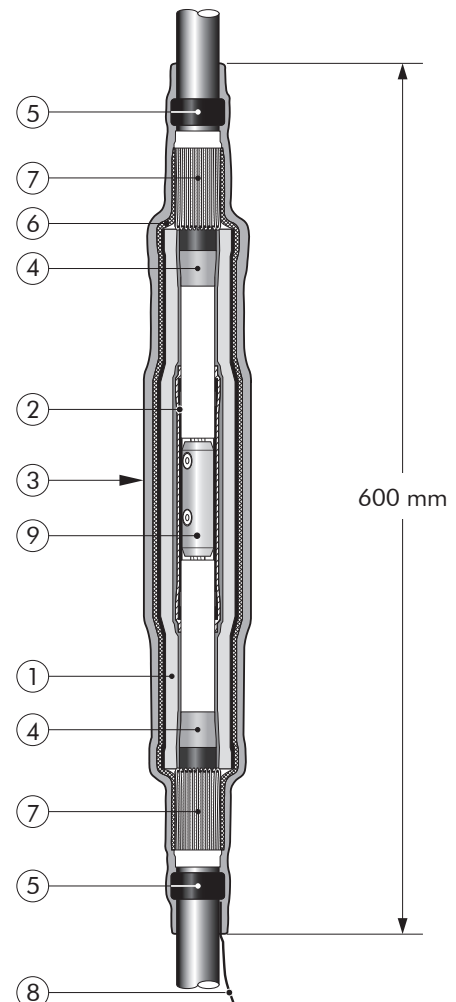
All joint bodies are tested for AC withstand prior to leaving the factory.

6/10 (12) kV
6.35/11 (12) kV
8.7/15 (17.5) kV
12/20 (24) kV
12.7/22 (24) kV

Design

Cold-shrinkable joint comprising:

1. Extruded triple layer EPDM rubber body.
2. Two layer plate with a semi-conductive and a field control mastic layer.
3. Overall protective EPDM cover.
4. Field control mastic.
5. Water sealing mastic.
6. Copper stocking.
7. Self-adhesive copper tape.
8. Traceability tag.
9. Mechanical conductor connector (included in the standard kit).



Specifications and standards

The cold-shrinkable 24CSJ-M joint meets the requirements of CENELEC HD 629.1.

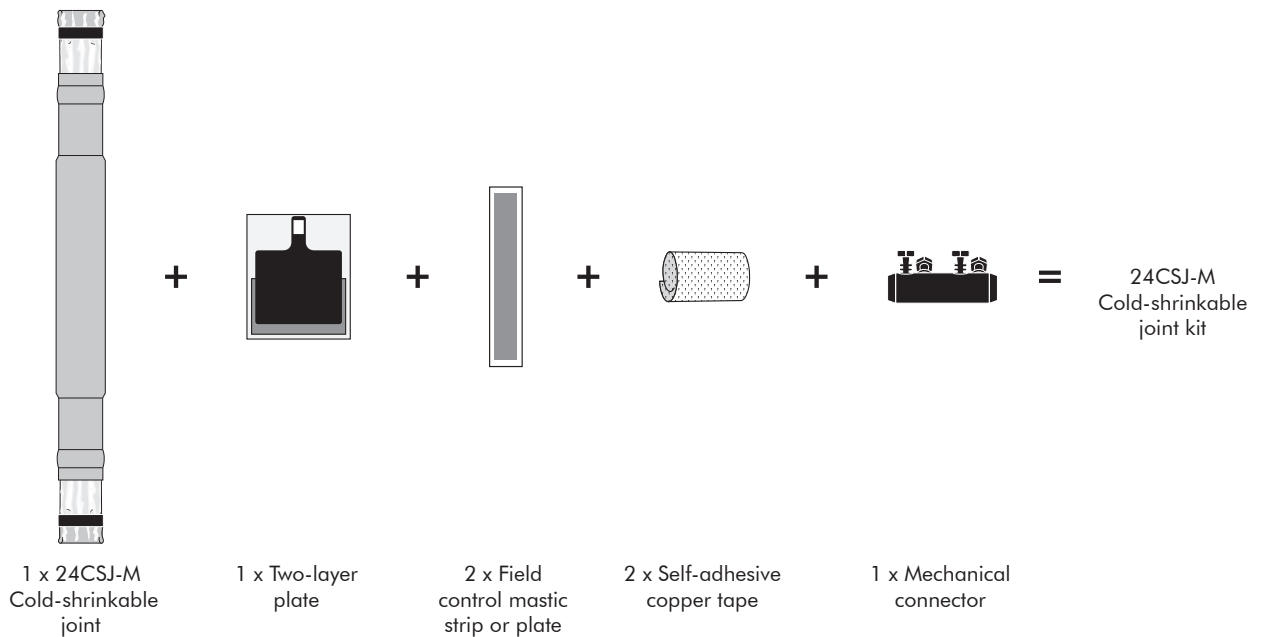
Cold-shrinkable straight joint type	Voltage U_m (kV)	Diameter over outer sheath (mm)	Diameter over core insulation (mm)		Conductor sizes (mm ²)	
			min	max	min	max
24CSJ-M50-150	24	46 max	18	30	50	150
24CSJ-M95-240	24	46 max	23	33	95	400

12/2009

Kit contents

The complete cold-shrinkable joint kit comprises the following components:

The kit also comprises a pulling hook, adhesive tape, lubricant, wipers, gloves and installation instructions.



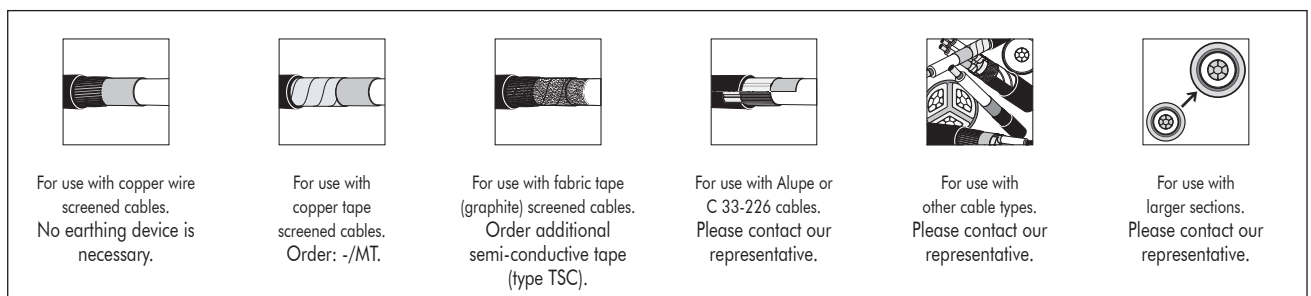
Ordering instructions

Select the part number corresponding to the voltage class and conductor size.

Ordering part number	Voltage (Um) (kV)	Conductor sizes (mm ²)							Diameter over core insulation (mm)	Diameter over outer sheath (mm)
		50	70	95	120	150	185	240		
24CSJ-M50-150	24	24CSJ-M50-150							18 - 30	46 max
24CSJ-M95-240	24			24CSJ-M95-240					23 - 33	46 max

Example:

The copper wire screened cable is 24 kV, 150 mm² stranded aluminium with a diameter over core insulation of 26.5 mm. Order a 24CSJ-M95-240 cold-shrinkable joint kit.



Euromold
a Nexans company

www.cable-jointing.com
Tel: +44 (0) 1482 37 37 20

info@cable-jointing.com
Fax: +44 (0) 1482 24 20 20

Bonus Power Systems Limited. Head Office and Global Distribution Centre, Connaught Rd, Kingswood Business Park, Hull, E.Yorkshire, UK. HU7 3AP. Specialist Electrical Distribution UK and Worldwide. Low Voltage to Extra High Voltage Cables, Joints, Terminations, Tools, Cable Jointing Accessories.