

# SREI

## HEAT-SHRINKABLE SINGLE CORE XLPE INDOOR TERMINATION

Up to 36 kV

6/10 (12) kV  
6.35/11 (12) kV  
8.7/15 (17.5) kV  
12/20 (24) kV  
12.7/22 (24) kV  
18/30 (36) kV  
19/33 (36) kV

### Application

A set of three heat-shrinkable terminations for polymeric cables, are widely used by power utilities and in industrial applications.  
For use indoor in controlled environmental conditions.

### Design

1. Cable lug (supplied on request).
2. Water sealing mastic.
3. Anti-tracking heat-shrinkable tube.
4. Stress control heat-shrinkable tube.
5. Stress control mastic.
6. Anti-tracking sheds (when required).

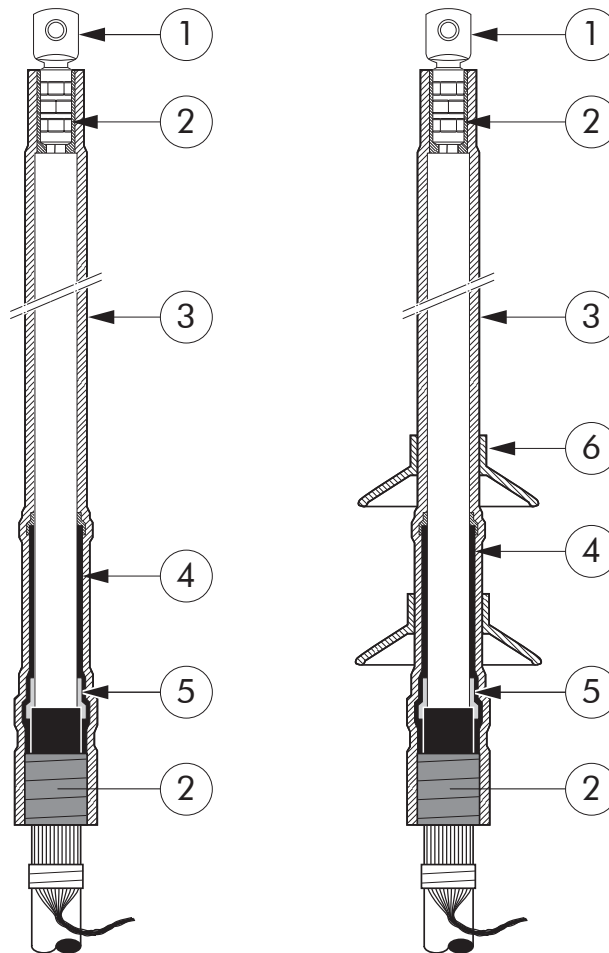
### Specifications and standards

Meets the requirements of CENELEC HD 629.1 and IEC 60502-4.

### Ordering instructions

Select the part number and add both system voltage and conductor size range.

**Example part number:**  
SREI 12/95-240



Termination type	Voltage class (Um)	12 kV	(17 &) 24 kV	36 kV
SREI	Cable cross section (mm <sup>2</sup> )	35-70	35-70	70-95
		95-240	95-185	120-240
		240-500	240-400	240-500
		400-630	400-630	



For use with other sizes and cable types. Please contact our representative.

01/2010