

# GTM3

## HEAT-SHRINKABLE THREE CORE TRANSITION JOINT

Up to 36 kV

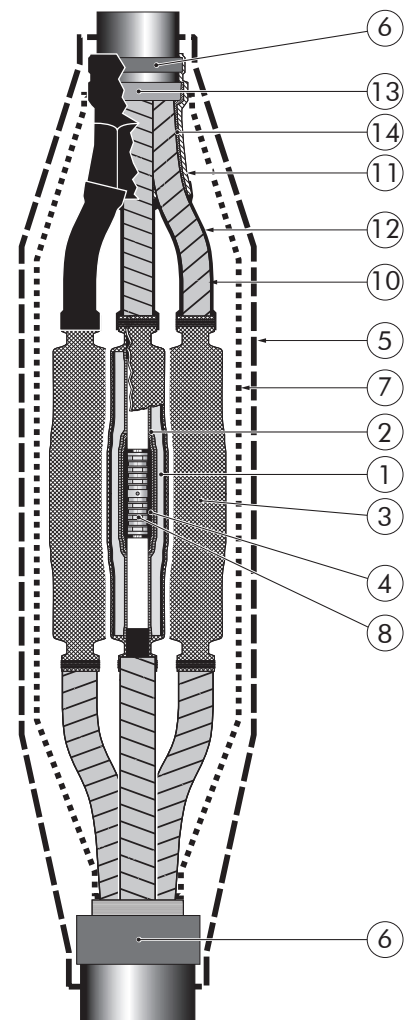
### Application

For jointing three-core paper cables (draining and non-draining) to three core polymeric cables. For use with belted or screened (Höchstädter) cables with a common lead sheath. This transition joint is fully screened, submersible and suitable to be directly buried.

6/10	(12) kV
6.35/11	(12) kV
8.7/15	(17.5) kV
12/20	(24) kV
12.7/22	(24) kV
18/30	(36) kV
19/33	(36) kV

### Design

1. Dual wall tube.
2. Stress control tube.
3. Screen continuity (copper mesh).
4. Stress control mastic.
5. Overall protection tube.
6. Sealing mastic.
7. Canister.
8. Conductor connector (supplied on request).
9. Non-tracking tube (only for 36GTM3 - not shown).
10. Barrier tube.
11. Semi-conductive break-out.
12. Semi-conductive tubes.
13. Stress control mastic.
14. Semi-conductive tape.



### Specifications and standards

Meets the requirements of CENELEC HD 629.2 and IEC 60502-4.

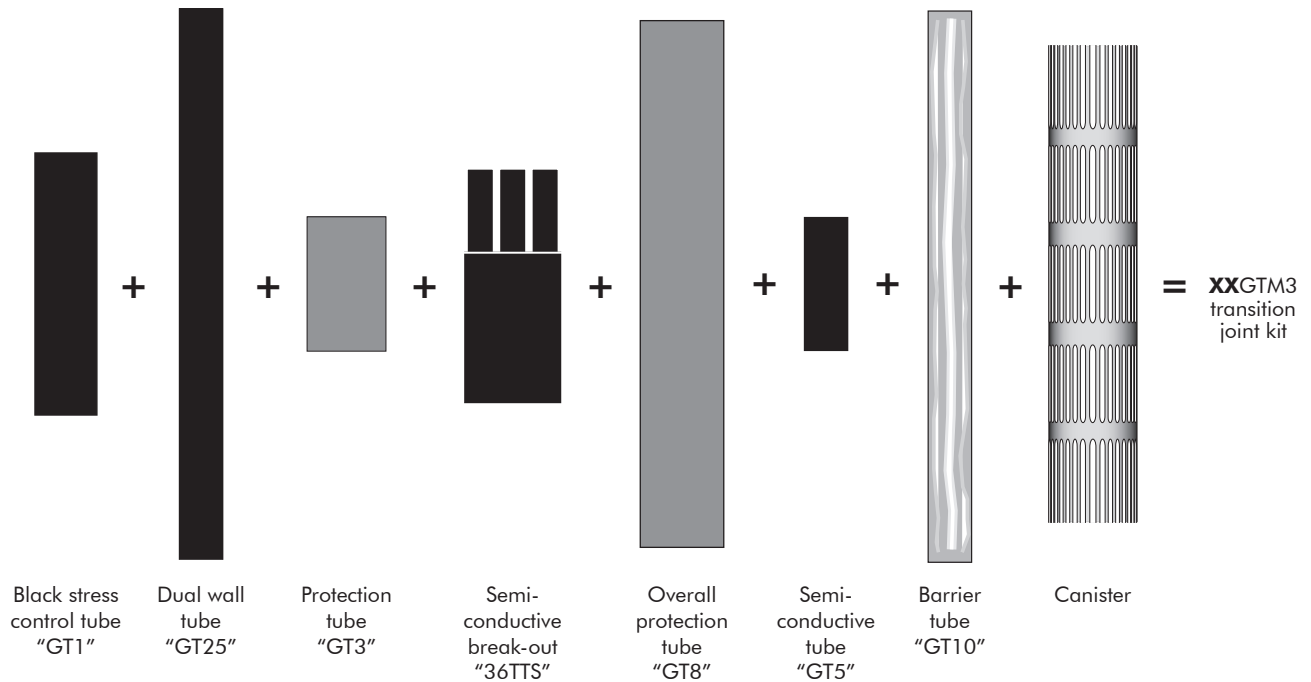
Straight Joint type	Voltage Um (kV)	Length "L" (mm)	Conductor sizes (mm <sup>2</sup> )	
			min	max
17GTM3	12 - 17.5	1600 - 1800	25	400
24GTM3	24	1600 - 1800	25	400
36GTM3	36	1800 - 2100	35	400

03/2009

## Kit contents

The complete GTM3 joint kit comprises the following components:

The kit also comprises installation instructions, semi-conductive tape, Hi-K mastic, sealing mastic "NGAF", adhesive tape, copper braid, tinned copper mesh tape, armour continuity and roll springs.



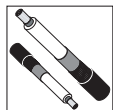
## Ordering instructions

Select the part number corresponding to both system voltage and cable dimensions.

### Example:

The three core belted cable is 12 kV, 3 x 150 mm<sup>2</sup>, non-draining, armoured and must be jointed to a three core 12 kV, 150 mm<sup>2</sup> XLPE cable.  
Order: 17GTM3.300K.

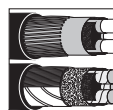
Ordering part number	Voltage U <sub>0</sub> /U (kV)	Conductor size range (mm <sup>2</sup> )	
		min	max
17GTM3.50K	6/10 and 8.7/15	25	50
17GTM3.95K	6/10 and 8.7/15	50	95
17GTM3.300K	6/10 and 8.7/15	95	300
17GTM3.400K	6/10 and 8.7/15	240	400
24GTM3.50K	12/20	25	50
24GTM3.240K	12/20	50	240
24GTM3.400K	12/20	150	400
36GTM3.95K	18/30	35	95
36GTM3.240K	18/30	70	240
36GTM3.400K	18/30	150	400



When jointing cables of different sizes, please contact our representative.



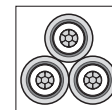
For use with PICAS cables. Please contact our representative.



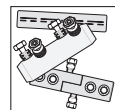
Different armour connections are available. Please contact our representative.



For use with other cable types. Please contact our representative.



For transition to three single core XLPE cables: see GTM.3.1.



Can be supplied with all common types of conductor connectors.



**www.cable-jointing.com**  
**Tel: +44 (0) 1482 37 37 20**

**info@cable-jointing.com**  
**Fax: +44 (0) 1482 24 20 20**

Bonus Power Systems Limited. Head Office and Global Distribution Centre, Connaught Rd, Kingswood Business Park, Hull, E.Yorkshire, UK. HU7 3AP. Specialist Electrical Distribution UK and Worldwide. Low Voltage to Extra High Voltage Cables, Joints, Terminations, Tools, Cable Jointing Accessories.