

## 36CSSM SINGLE CORE STRAIGHT JOINT

Up to 42 kV

### Application

For jointing copper wire screened polymeric cable to be laid in air or directly buried. The product is fully screened and fully submersible.

### Technical characteristics

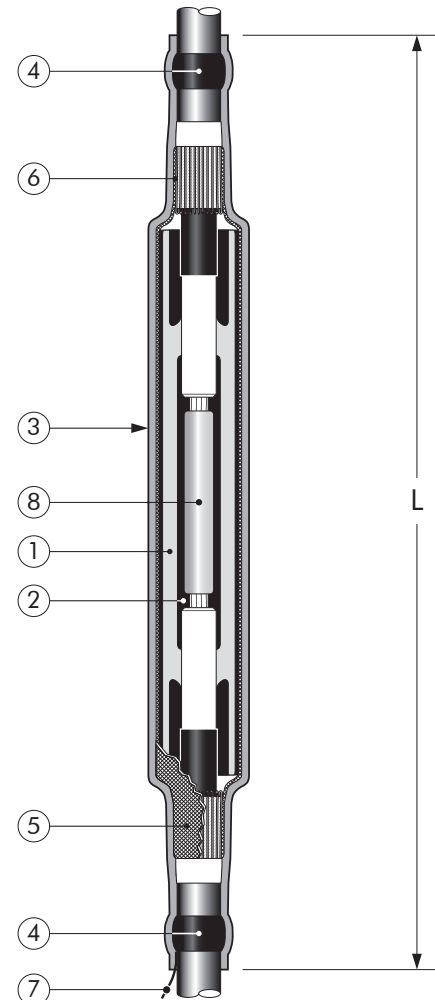
All joint bodies are tested for AC withstand prior to leaving the factory.

18/30 (36) kV  
19/33 (36) kV  
20.8/36 (41.5) kV

### Design

Cold-shrinkable joint comprising:

1. Moulded silicone joint body.
2. Semi-conductive plate.
3. Overall protective cover.
4. Water sealing mastic.
5. Copper stocking or mesh.
6. Self-adhesive copper tape.
7. Traceability tag.
8. Conductor connector (not included in the standard kit).



### Specifications and standards

The cold-shrinkable 36CSSM joint meets the requirements of CENELEC HD 629.1.

Cold-shrinkable straight joint type	Cover type	L (mm)	Voltage $U_m$ (kV)	Dia. over outer sheath (mm)		Dia. over core insulation (mm)		Conductor sizes for 36 kV (mm <sup>2</sup> ) (for information only)	
				max	min	max	min	max	
36CSSM-2/CSC	Cold-shrinkable	750	42	48	27	40	50	240	
36CSSM-3/CSC	Cold-shrinkable	850	42	57	37	50	300	500	
36CSSM-3/HSS	Heat-shrinkable	850	42	75	37	60	300	800	

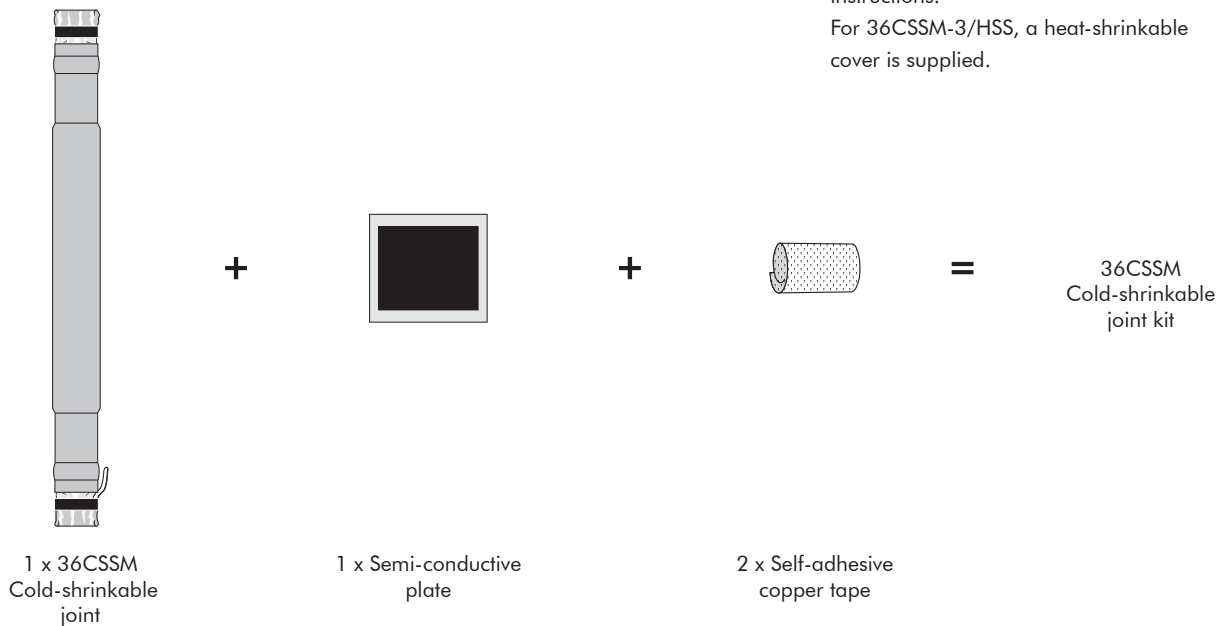
12/2009

## Kit contents

The complete cold-shrinkable joint kit comprises the following components:

The kit also comprises a pulling hook, template, adhesive tape, lubricant, wipers, white pencil, gloves and installation instructions.

For 36CSSM-3/HSS, a heat-shrinkable cover is supplied.



## Ordering instructions

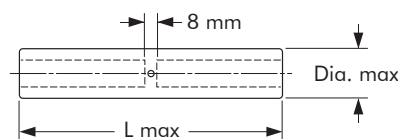
Select the part number corresponding to the cable core insulation diameter.

Ordering part number	Conductor sizes (mm <sup>2</sup> )												Dia. over core insulation (mm)	Dia. over outer sheath (mm)	
	50	70	95	120	150	185	240	300	400	500	630	800			
36CSSM-2/CSC	36CSSM-2/CSC													25 - 40	48 max
36CSSM-3/CSC							36CSSM-3/CSC						37 - 50	57 max	
36CSSM-3/HSS							36CSSM-3/HSS						37 - 60	75 max	

### Example:

The copper wire screened cable is 36 kV, 150 mm<sup>2</sup> stranded aluminium with a diameter over core insulation of 32.0 mm. Order a 36CSSM-2/CSC cold-shrinkable joint kit.

All types of conductor connectors can be used. The conductor connectors must be within the dimensions specified.



Joint type	L max (mm)	Dia. max (mm)
36CSSM-2	155	35
36CSSM-3	240	60
	215 (if dia. over insulation > 50 mm.)	

For use with copper wire screened cables. No earthing device is necessary.	Can be supplied for use with copper tape screened cables.	Can be supplied for use with C 33-226 cables.	For use with other cable types. Please contact our representative.	For use with larger sections. Please contact our representative.	Can be supplied as a stop joint. Please contact our representative.

**Euromold**  
a Nexans company

**www.cable-jointing.com**  
**Tel: +44 (0) 1482 37 37 20**

**info@cable-jointing.com**  
**Fax: +44 (0) 1482 24 20 20**

Bonus Power Systems Limited. Head Office and Global Distribution Centre, Connaught Rd, Kingswood Business Park, Hull, E.Yorkshire, UK. HU7 3AP. Specialist Electrical Distribution UK and Worldwide. Low Voltage to Extra High Voltage Cables, Joints, Terminations, Tools, Cable Jointing Accessories.