

AIN INDOOR TERMINATIONS

Up to 42 kV

Application

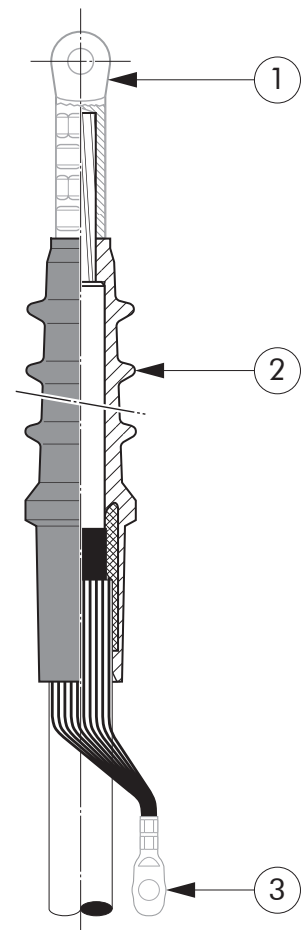
A kit of 3 terminations for use indoors in controlled environmental conditions and subject to light condensation. Provides a simple and quick method of stress relieving on screened polymeric cables.

6/10 (12) kV
6.35/11 (12) kV
8.7/15 (17.5) kV
12/20 (24) kV
12.7/22 (24) kV
18/30 (36) kV
20.8/36 (41.5) kV

Design

Indoor termination comprising:

1. Cable lug (not included in the standard kit).
2. High flexibility silicone rubber housing, allowing larger tolerances on cable insulation diameters, with integrated conductive rubber insert, providing stress relief.
3. Earthing lug (not included in the standard kit).



Specifications and standards

Meets the requirements of CENELEC HD 629.1 and IEC 60502-4.

Termination type	Voltage U_m (kV)	Conductor sizes (mm ²)	
		min.	max.
AIN 10	12	25	1000
AIN 20	24	35	1000
AIN 30	36	50	800
AIN 36	42	150	800

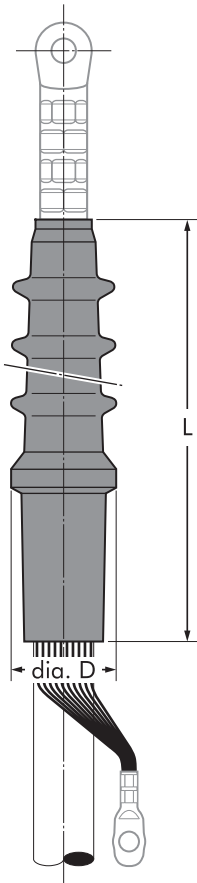
01/2010

Kit contents

A kit always comprises
 3 termination housings,
 installation instructions, special
 lubricant, wiper, adhesive tape,
 field control mastic, ...
 Cable lugs and earthing
 lugs are not included in the
 standard kit, but can be
 ordered separately.

Ordering instructions

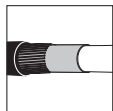
Select the part number
 corresponding to both the
 system voltage and the cable
 dimensions in mm.



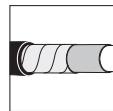
Voltage Um (kV)	Conductor sizes (mm ²)		Diameter over core insulation (mm)		Number of sheds	L (mm)	Dia. D (mm)	Ordering part number
	min.	max.	min.	max.				
12	25	95	13.5	20.8	2	150	37	3 x AIN 10-1-H
	120	240	19.4	28.4	2	150	43	3 x AIN 10-2-H
	300	500	27.4	36.6	2	150	60	3 x AIN 10-3-H
	800	1000	40.0	55.0	7	330	127	3 x AIN 10-4-H
24	35	70	18.3	23.4	3	225	47	3 x AIN 20-1-H
	95	240	23.0	32.6	3	225	56	3 x AIN 20-2-H
	300	630	31.6	43.5	3	225	62	3 x AIN 20-3-H
	500	1000	40.0	55.0	7	330	127	3 x AIN 20-4-H
36	50	70	24.2	28.4	6	300	74	3 x AIN 30-1-H
	95	240	27.3	37.6	6	300	74	3 x AIN 30-2-H
	240	400	31.5	42.8	6	300	81	3 x AIN 30-3-H
42	400	800	40.0	55.0	7	330	127	3 x AIN 30-4-H
	150	300	31.5	42.8	7	330	127	3 x AIN 36-3-H
	400	800	40.0	55.0	7	330	127	3 x AIN 36-4-H

Example:

A set of 3 indoor terminations
 for a 24 kV - 240 mm² stranded
 aluminium cable with copper wire
 screen without cable lugs.
 The diameter over core insulation
 is 30.4 mm.
 Order a 3 x AIN 20-2-H
 termination kit.



For use with copper
 wire screened cables.
 No earthing
 device is
 necessary.



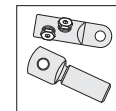
For use with
 copper tape
 screened cables.
 Order: -/MT.



For use with
 three-core cables.
 Please contact our
 representative.



For use with other
 cable types.
 Please contact our
 representative.



Can be supplied with
 all common types of
 cable lugs.



No heating or flame
 is required.